

| Product Name | Pizza Thermal Delivery System | Quantity | | Item # | |
|--------------|-------------------------------|----------|--|--------|--|
|--------------|-------------------------------|----------|--|--------|--|



Standard Features

- Designed for 18" (46cm) large pizzas
- Complete system is comprised of an XLPTDS charger, plus a number of bags (typically 5-10), plus an equal number of pellets
- Pellet is inserted semi-permanently in a bag (removed for bag cleaning/replacement)
- Bag is heated by placing on the XLPTDS charger
- Bag will hold three pizzas
- Bags and pellets sold separately
- Initial charge in 2.5 minutes or less
- Recharges in 60 seconds (avg.)
- No-leak, solid-to-solid phase change pellet material keeps pizzas hot for up to a 45 minute delivery
- Lightweight pellet and bag weigh 3.9 lbs/1.8 kg
- Extremely easy to implement with no delivery bag cord, no maintenance, and no extra labor steps
- Charger does not produce any heat on the locator surface
- Charger performs self-diagnostic features and alerts user in the event of an error
- User-friendly membrane panel and lighted displays are easy to understand and operate
- Charger manufactured and designed to handle exposure to flour, dust, oil, grease, and various other food substances found in food establishments
- Charger unit manufactured and designed to operate on a standard countertop or "dropped-in" to a custom shelving unit

- Charger operates on a single phase, 15A, 120V or single phase, 8A, 240V dedicated circuit, dependent on model
- **240VAC units not available in US/Canada**
- Three year limited warranty on the charger in US and Canada only - see statement for details
- Made in the USA*

Specifications

Shall be a CookTek Induction Pizza Thermal Delivery System, model _____ with a total kW rating of _____.

Unit shall come with a powder-coated steel housing, polycarbonate locator tray and membrane panel.

Unit shall be a high power induction heating system intended for the rapid thermal charging of a proprietary heat retaining pellet contained in a CookTek approved insulated delivery bag.

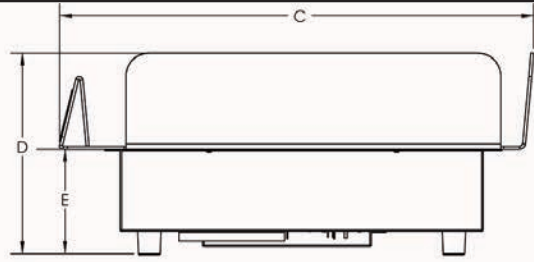
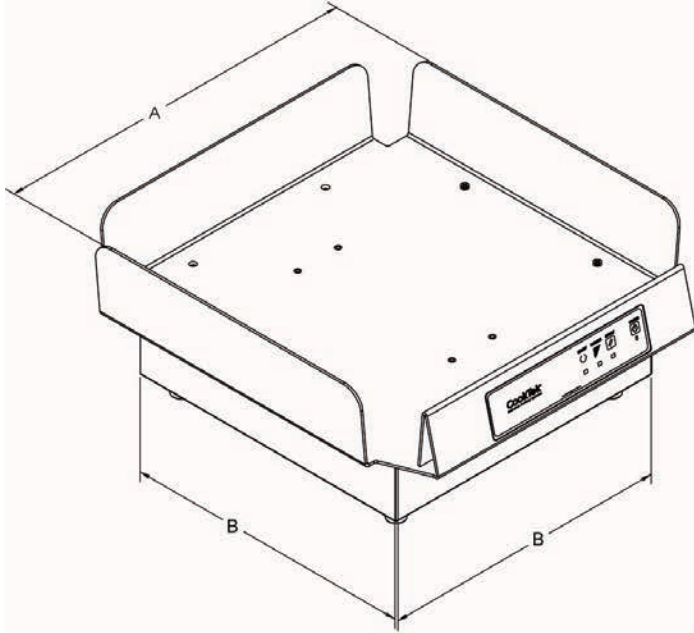
Pellet shall be engineered to provide heat to the delivery bag in combination with up to three boxed pizzas, for up to a 45 minute delivery, in a manner that will maintain a delivery temperature of over 155°F/68°C.

Unit shall operate on _____ power with integral _____ cord and plug (supplied).

NOTE: Pizza Thermal Delivery System must be used in conjunction with CookTek approved VaporVent™ pizza bags and FlashPak™ pizza discs.

*of USA and imported parts

PIZZA THERMAL DELIVERY SYSTEM



| Dimensions | | |
|------------|--------|-----|
| | inches | mm |
| A | 20.75 | 527 |
| B | 15.50 | 393 |
| C | 21.75 | 552 |
| D | 8.55 | 217 |
| E | 4.55 | 115 |

- Dedicated circuit required
- Requires maximum (do not exceed) ambient temperature of 50°C/122°F
- Cooling clearance: 2" (55mm) for front and rear, 6" (152mm) below when mounted in custom shelving unit

US   
 Agency listings for chargers only. Bags and pellets not listed.

XLPTDS100, XLPTDS200

Specifications

| | XLPTDS100 | XLPTDS200 |
|-------------------------------|--|--|
| Model Number | XLPTDS100 | XLPTDS200 |
| Power Requirements | 100-120VAC, 1Ph | 208-240VAC, 1Ph |
| Power Consumption | 600-1800W | 600-1800W |
| Voltage | 100-120VAC, 50/60 Hz | 208-240VAC, 50/60 Hz |
| Amperage | 15A (max) | 8A (max) |
| Base Dimensions (in) | 15.5" x 15.5" x 4.55" | 15.5" x 15.5" x 4.55" |
| Base Dimensions (mm) | 393 x 393 x 115 | 393 x 393 x 115 |
| Dimensions w/bag locator (in) | 21.75" x 20.75" x 8.55" | 21.75" x 20.75" x 8.55" |
| Dimensions w/bag locator (mm) | 552 x 517 x 217 | 552 x 517 x 217 |
| Weight | 20 lbs / 9.1 kg | 20 lbs / 9.1 kg |
| Packaged Weight | 24 lbs / 10.8 kg | 24 lbs / 10.8 kg |
| Packaged Dimensions (in) | 24" x 23" x 13" | 24" x 23" x 13" |
| Packaged Dimensions (mm) | 609 x 584 x 330 | 609 x 584 x 330 |
| Power Cord Length | 6 ft / 1.8 m | 6 ft / 1.8 m |
| Plug Type | NEMA 6-20P | Country Specific |
| Warranty | 36 months limited parts and labor (charger only) | contact distributor for warranty details |

Note: Ambient air should not exceed 50°C/122°F. Dedicated circuit required. Many local codes exist, and it is the Owner and Installer's responsibility to comply with those codes. CookTek continually improves its products and reserves the right to change or improve specifications without notice.

CookTek Induction Systems, LLC
 156 N. Jefferson St. Ste 300
 Chicago, IL 60661-1436, USA
 www.cooktek.com

Tel: 1.312.563.9600 Fax: 1.312.432.6220
 Toll Free: 1.888.COOKTEK (266.5835)
 Toll Free Fax: 1.888.COOKFAX (266.5329)

COOKTEK